


T-Former Modular, high - efficiency Power Supply /ON LINE UPS

- ❑ Output power 1350 VA.
- ❑ Output Current 15A 60,66,72,87 Vac (50,60Hz).
- ❑ Based on proprietary AC/AC technology.
- ❑ Modular design - additional (optional) inverter UPS.
- ❑ Lower Capital Cost - per unit compared to traditional Ferro-resonant devices.
- ❑ Lower Operating Costs- savings of at least 5% energy. compared to standard systems.
- ❑ Docsis Monitoring By 

T-Former is an high- efficiency, non-standby power supply, specifically developed for the advanced operation of line amplifiers in CATV distribution systems. With around double the lifetime of legacy Ferro-resonant products, delivering energy savings of at least 5% energy compared to standard systems, Its modular design enables optional upgrade of the T-Former to UPS by adding compatible ONLINE DC-AC inverter . That helps operators reduce network expenditure at capital as well as operational levels.

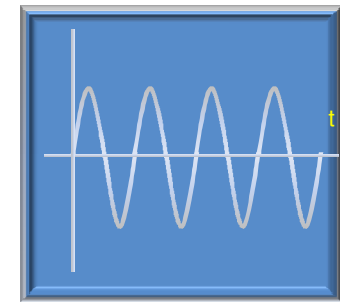
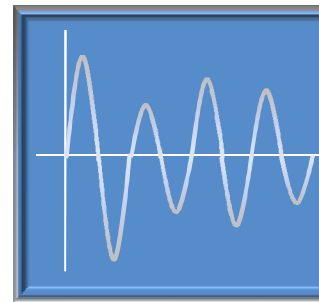


- ✓ **T-FORMER** - stabilized sine wave technology. (patent p)
- ✓ **ON-LINE** - "O" transfer to backup mode.

- ✓ **Longer Life** - unique technology enables almost unlimited lifetime.
- ✓ **No Noise, No Vibration** - no environmental disruptions when installed nearby building.
- ✓ **Slow Start** - prevents fall of current breaker after power-out or during ignition
- ✓ **Automatic Electronic Fuses** - prevents failure in the event of overload or short circuit.
- ✓ **Lightening Protected** - power supply fully protected against lightning.
- ✓ **Overload Protection** - short circuit electronic protected +15A fuse.
- ✓ **Closed Cabinet Installed** – with special bracket for hanged or shelf-lain mounting.
- ✓ **Online 15A inverter compatible** – Easy and low cost conversion option to UPS.

Vin 100-140 Vac 50,60Hz
Vin 200-260 Vac 50,60Hz

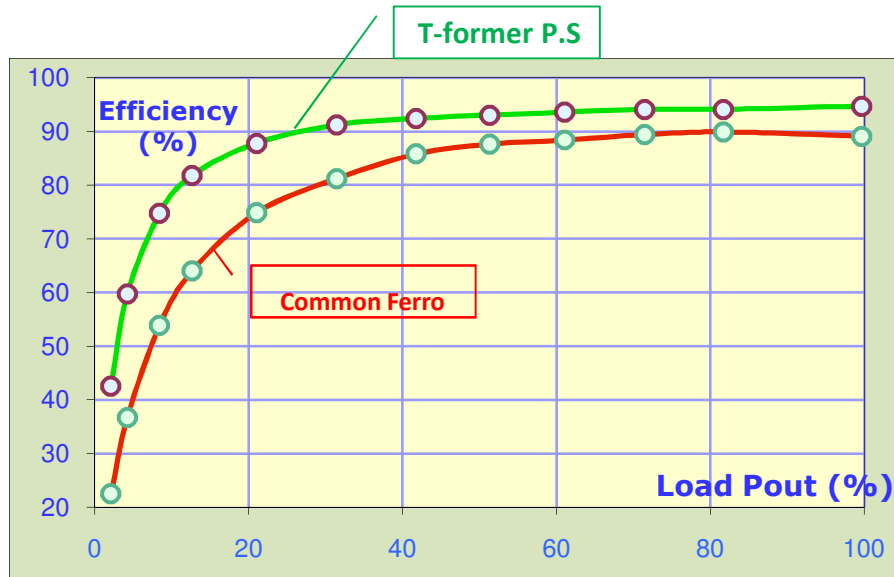
Vout 86V +/- 3V
Vout 63V +/- 3V



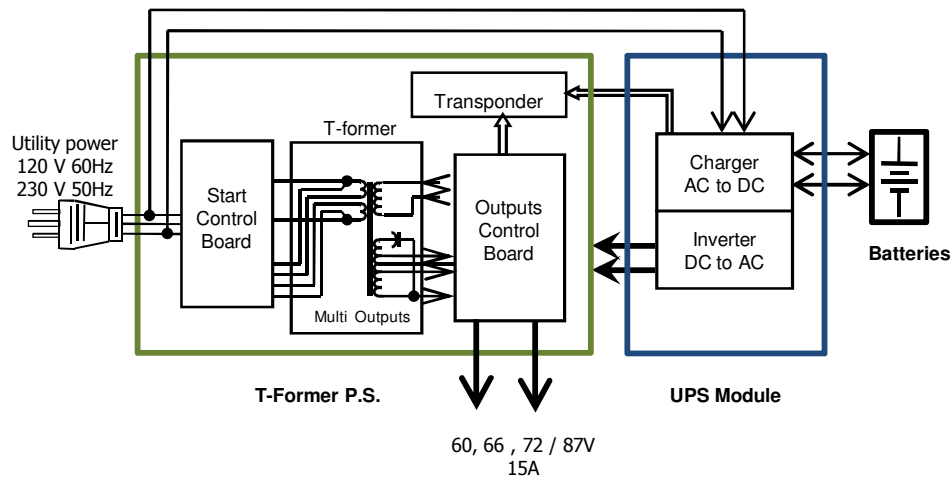
Thanks to its patent-pending **stabilized sine wave technology**, the T-Former's advanced controller automatically monitors and compensates for any changes in line voltage eliminating negative the side effect of Inrush current, resulting from utility power recovery.

The T-Former operates in complete silence - solving noise and vibration problems inherent in existing products. This is increasingly important in highly populated areas where power supply devices are often mounted nearby the buildings.

T-Former is designed to work at a wide range of temperatures and humidity at full power capacity without any maintenance and has more than double lifetime then Ferro PS.



Block Diagram



Model	Modular T-Former /UPS 1350 VA
Electrical	
Input Voltage Taps (Vac)	120 / 230±15%
Input Frequency (Hz)	50/60
Input Current (A)	< 12A (US) 6.5A (EU)
Input inrush current	< 5In single pulse of 5ms
Efficiency (T-former Unit)	> 0.94 at (50-100% load)
Output Voltage Taps (Vac)	60, 66, 72, 87-15A
Total Output Current (A)	15A (RMS)
Short circuit time response (ms)	<8.5
Recovery safety time delay (sec)	> 3
Output Power (VA)	1350 VA
Load Regulation (%)	< 2%
Output Protection Fuse	T15A
Mechanical	
T-former unit (Size mm / weight Kg)	191 x 227 x 277 17Kg
UPS unit (Size mm / weight Kg)	157 x 227 x 309 8 Kg
Total Weight T-Former + UPS module (Kg/lbs)	25 kg / 55 lb
Housing Finish	White zinc / Epoxy coating
Environment	
Operating Temperature	-20°C ÷ +60°C
Storage Temperature	-20°C ÷ +70°C
Humidity	0 ÷ 100% non condensing
Standard Features	
Power Mains Cable	√
Mains Transients Protection	√
Quick Connection Output Coax socket	√
Output Fuse	√
Output Voltage Test Points	√
Output Current Measurement Loop	√
Power Indication Green LED	√
Optional Features	
Output Screw Terminals	√
DC/AC inverter for UPS	√

T-former - stabilized sine wave technology. (Patent P.)