



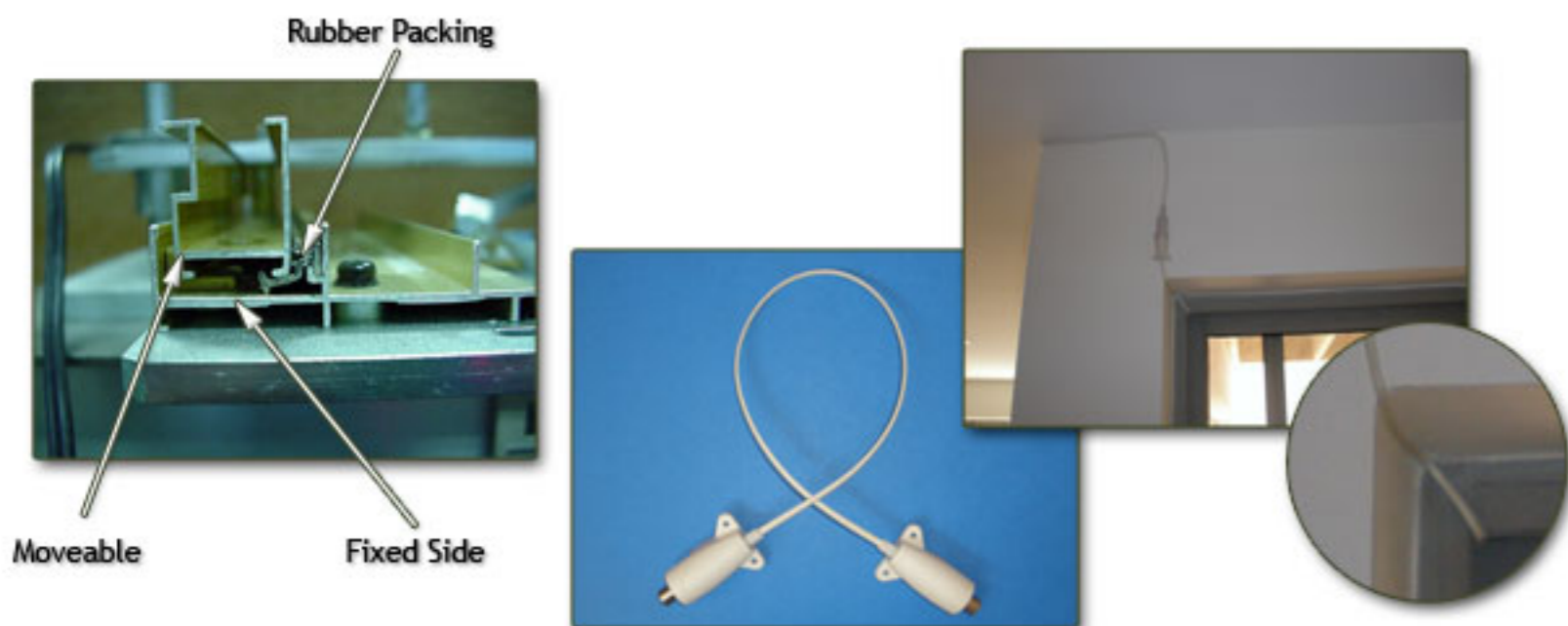
Overview

Flat coax is an innovative, fast and cost effective way of inserting CATV or Satellite dish cable, from outdoor to indoor without the need to drill through the wall.

The flat coax is based on patent technology protecting the coax against bending and impact by using dual cable with rigid forming wire, to absorb impact energy and maintain flexibility.

Product advantages:

- ▶ Easy installation - No need for extra tooling
- ▶ Saving on labor cost - quick installation. No damage to the building surface
- ▶ Thin - Can pass doors and windows without drilling
- ▶ Flexible - can be mounted on a window, door or staircase
- ▶ Rigid - sustain windows and doors closing impact
- ▶ Water proof - no risk of humidity through the drilling hole



Flat coax

From outdoor to Indoor without drilling



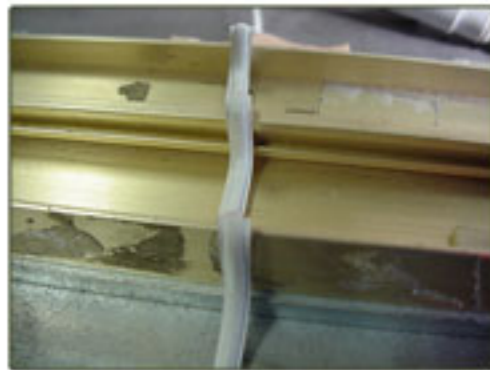
SAFECOM
WWW.SAFECOM.TV

The easiest way to connect CATV/Satellite to the house

Specification

Frequency	Through Loss [dB] Max.	Return Loss [dB] Max.
10 ~ 76 MHz	0.7	13.0
76 ~ 222 MHz	1.0	13.0
222 ~ 470 MHz	1.5	11.0
470 ~ 770 MHz	1.8	10.0
770 ~ 1336 MHz	2.7	9.0
1336 ~ 1895 MHz	3.5	7.0
1895 ~ 2150 MHz	4.0	7.0
2150 ~ 2300 MHz	4.5	6.0

Frequency Range	: 10 ~ 76 MHz
Power Passing	: 1.0amps, 15VDC max or 0.8amps, 30VAC max.
Impedance	: 75 Ω
Temperature Range	: -20°C ~ + 50°C
Moisutire Range	: 0% ~ 90%
Impact Strength for Flex (Bend) Cracking	: 500 times
Durability by open/close operation of sliding-door	: 20,000 times (Test Data: see the Test Data)



Flat Cable fixed



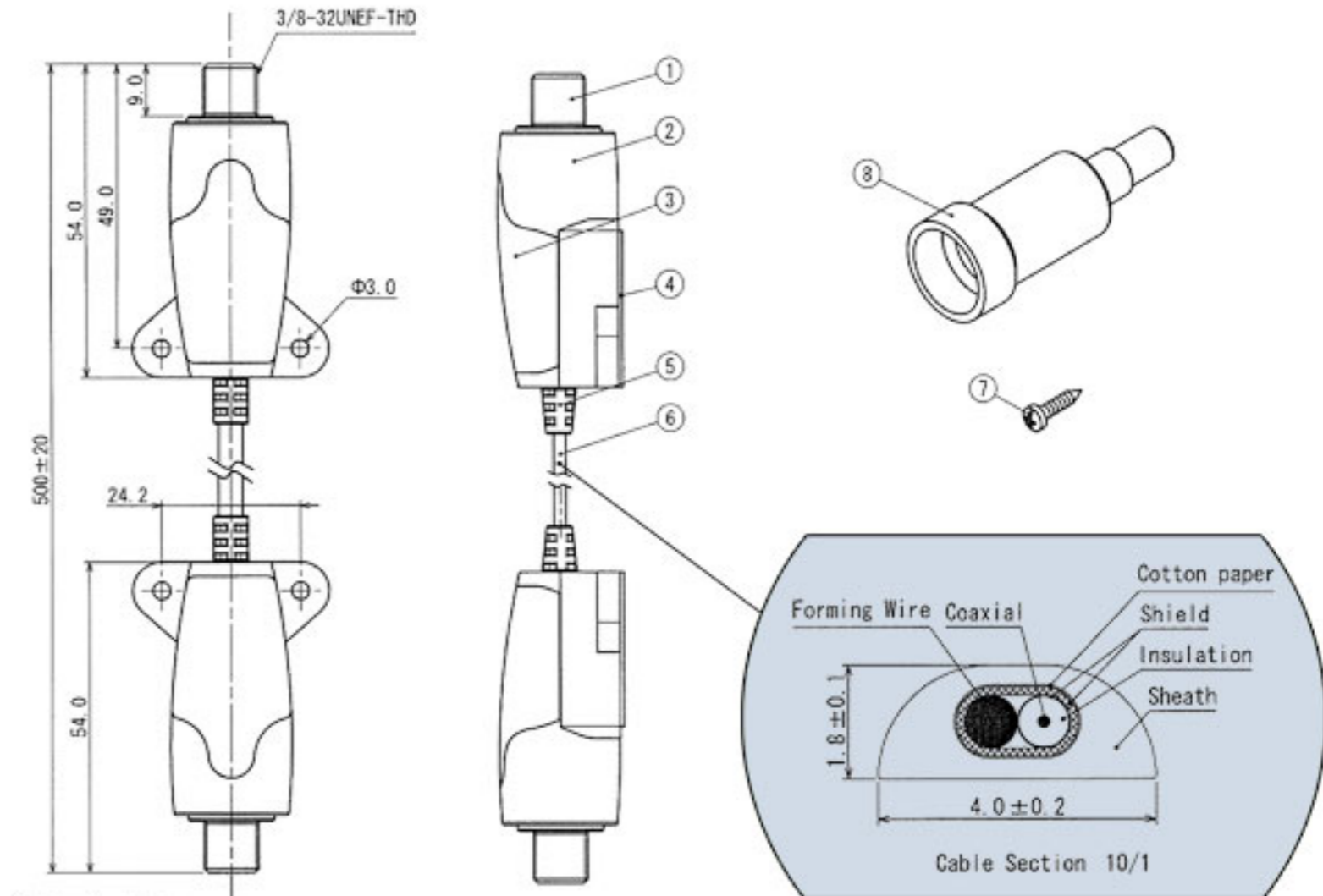
Window closed situation



Crushed by window-frame with 2mm. Iron-plate



After Test 2. the apperance of Flat Cable



8	Water-proof Cap	1	Soft PVC(grey), non-migration
7	Tapping-Screw	4	±Bind 3x14 Stainless steel
6	Flat Cable	1	0.8C Coaxial Cable With φ0.8 Forming Wire
5	FC Holder OB	2	Silicone Rubber Hs50 (WHT)
4	Sponge Mat	2	with double-stick tape
3	Housing Cover	2	ABS(White)
2	Main Housing	2	ABS(White)
1	F-type Connector	2	Brass, Nickel plating
No.	PART	QTY	Material&Spec