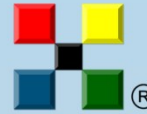


BACKUP POWER WITHOUT BATTERIES

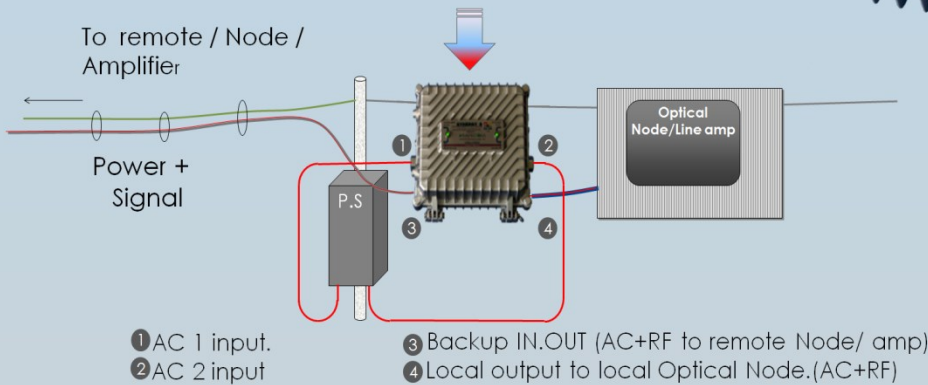
All in One

SYNERGY 2

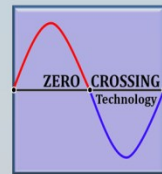
□ Unlimited Backup Power
US PATENT 5,747,888 8,415,822



Based on the strategic placing of intelligent power management devices throughout the network, in the event of a power outage the SYNERGY-2 draws power from distance available source over existing coax or power cables. Utilizing patented breakthrough direct AC/AC stabilize Zero Crossing technology Safecom ensures an optimal voltage level at the insertion point – even the source of power from over long distances.



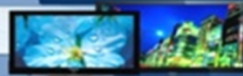
- Unlimited Remote Synergy backup power solution.
- Embedded Dual Power inserter 2 x 15A. (RF Pass 5-1000MHz)
- Monitoring online current & voltage.
- Embedded Power Booster + Voltage stabilizing.



Standard Features

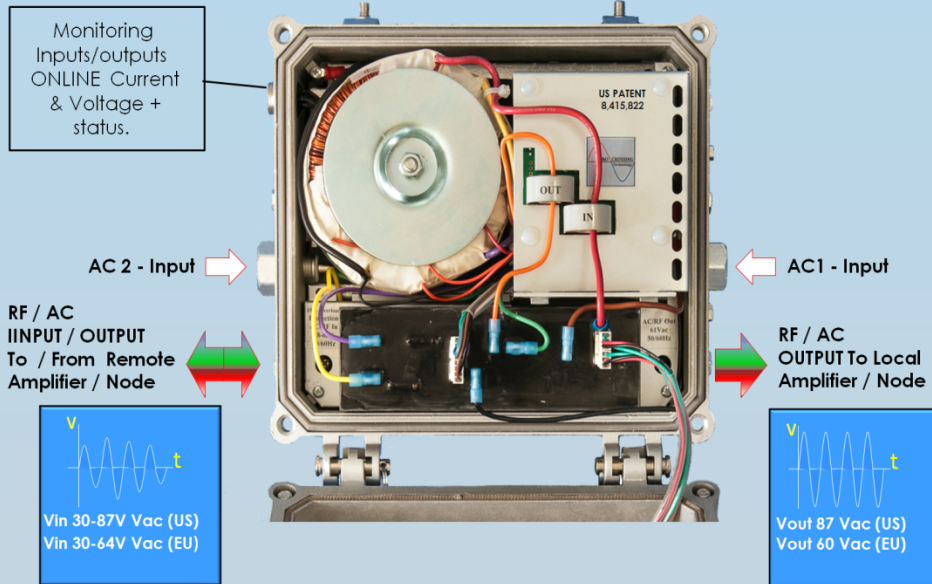
- Europe 60V & US 90V Standard.
- Support full 15A rms input/output.
- Voltage stabilization at the insertion point in the network.
- Zero Crossing Technology - Smooth transfer between gears .
- Top-efficiency – compact Genius Toroidal Transformer (up to 1350 Watt).
- Electronic Overload Protection.
- Water-proof Enclosure. (IPX8)
- Wall or pole Mounted.
- Automatic Standby mode.
- Opposite connection protected.
- Input & Output Surge Protection.
- Optional DOCSIS® & EuroDOCSIS Status Monitoring.
- Online RF transmission during operation.





SYNERGY2 -60/87-2x15A –inside view

Inputs/ Outputs configuration



SYNERGY-2 - Technical Specification

Electrical		Environmental	
Max Current(Each port)	15A	Operating Humidity	0-100%
Input AC1,AC2 min threshold level	EU- 45 Vac US 58 Vac	Operating Temperature	-40°C ÷ +60°C
Min Voltage level-from remote area	30Vac	IP Standard – 100 % waterproof	IPX8
Transition between gears	0 mSec	Operating Temperature	-40°C ÷ +60°C
Operational Voltage Range – Local Power.	EU: 48-75VAC US: 60-90VAC	RF	
Power Consumption Backup unit	48Vac@50 Hz-1.8W 90Vac@50Hz-3.5W	Band width	5-1000Mhz
Power Consumption. Power Booster module	7 Watt Max (EU) 18 Watt Max (US)	Through loss 1000 MHz	< 1.7 dB (+/- 0.3dB)
Min Voltage level-from remote area	30Vac	Return Loss	> 18 dB
Backup threshold Turn to backup-mode	18Vac	RFI	>110 dB
Max Voltage all port	75 Vac (EU) , 90 Vac (US)	Hum Modulation	> 65
Current 50Hz/60Hz	39mA / 31mA	General	
Transition to Backup	15msec(max) –ONLINE	Backup operation Life Expectancy	500,000
LED's indicators		Broadcast Continuity	Online
Two green	Local ON , Remote ON.	Monitoring interface for IP transponder	
Two red	Backup from Remote area.	Current from local P.S	0-15A -1%
Left LED- RED Right LED - Green	Local ON , Remote Standby	Current from remote P.S	0-15A -1%
Voltage gain ratio (Max)	1 : 1.56	Voltage-all ports	0-90V-0.5%
		Status of SYNERGY2	Local /Remote
		Dimensions (L , W , H) mm	250 X 200 X 152
		Dimensions (L , W , H) inch	9.8 X 7.8 X 6
		Weight	14.33 lbs / 6.5Kg

POWER BOOSTER

US PATENT 8,415,822

Utilizing patented breakthrough direct AC/AC stabilize Zero Crossing technology Safecom ensures an optimal voltage level at the insertion point – even the source of power from over long distances.

Passive , Stand alone element power booster solves the power distribution problem in a CATV network caused by high-resistance and low energy efficient coax & electricity cables.



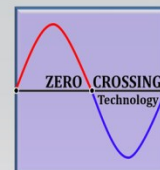
- ❑ **87V(US) / 60V(EU) -15A AC/AC stabilizer –Zero Crossing Technology & RF-Pass 5-1000MHZ**

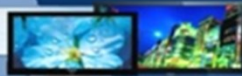


- ❑ **MINIMIZE THE NUMBER OF POWER SUPPLIES IN THE NETWORK.**
- ❑ **INCREASING THE POWERING AREA COVERED BY POWER SUPPLY**

Mechanical	
Dimensions (L , W , H) mm	250 X 200 X 152
Weight (Kg/lbs)	6/13.2
Finish	Passivation
Environment	
Operating Temperature	-40°C ÷ +60°C
Storage Temperature	-40°C ÷ +70°C
Humidity (water proof)	0 ÷ 100%
Standard Features	
Quick Connection In / Out Coax socket	√
Electronic Overload protection	
Power Booster Adaptor Indication Green /Red LED	√
RF	
Band width	5-1000Mhz
Through loss 1000 MHz	< 1.7 dB (+/- 0.3dB)
Return Loss	> 18 dB
RFI	>110 dB
Hum Modulation	> 65

Electronic	
Input Voltage range (Vac)	42-90 V(US) 32-72V (EU)
Input Frequency (Hz)	50/60 Hz
Max Output Current (A)	15A
Max Input Current	15A
Output Voltage range (Vac)	82 ÷90 V(US) 57÷63 V(EU)
Voltage gain ratio (min)	1 : 1.03
Voltage gain ratio (Max)	1 : 1.56
Load Regulation (%)	<2%
Efficiency (%)	>95%
Transfer time	ONLINE





BACKUP POWER WITHOUT BATTERIES

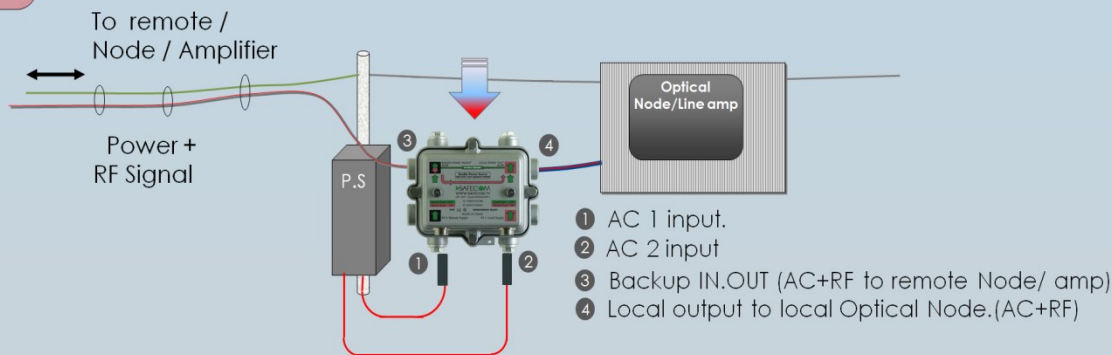
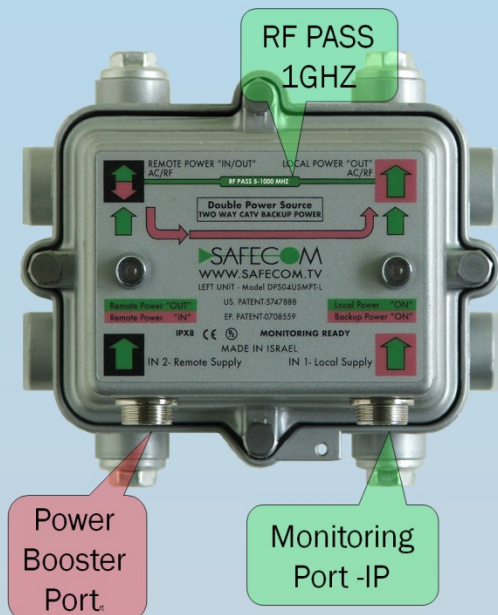
DPSver 5



- ❑ Unlimited Backup Power
- US P. 5747888, EP P. 0708559

Based on the strategic placing of intelligent power management devices throughout the network, in the event of a power outage the DPSv5 draws power from distance available source over existing coax or power cables.

Safecom's proven smart grid technologies greatly improve network powering reliability while creating significant savings in both capital and operational expenses.



- ❑ Unlimited Remote Synergy backup power solution.
- ❑ Embedded Dual Power inserter 2 x 15A. (RF Pass 5-1000MHz)
- ❑ Monitoring online current & voltage.
- ❑ Optional external Power Booster + Voltage stabilizing.

Standard Features

- Europe 60V & US 90V Standard.
- Support full 15A rms input/output.
- Voltage stabilization at the insertion point in the network.
- Water-proof Enclosure.(IPX8)
- Opposite connection protected.
- Input & Output Surge Protection.
- Optional DOCSIS® & EuroDOCSIS Status Monitoring.
- Online RF transmission during operation.

