

CATV STABILIZED POWER SUPPLY

Manually adjustable Max Power option (five steps) from 520 to 870VA

Reaching highest Network Energy Performance // Excellent efficiency >96%.

Zero Crossing stabilizer technology
US & EP Patent

Safecom presents the latest technology to reduce energy consumption and save electrical bills in CATV Networks while attaining Energy 2020 targets. The new compact adjustable Spec P.S model is a CATV P.S with the highest efficiency and most cost-effective capabilities developed for average current consumption needs such as Optical & Deep Fiber HFC networks.

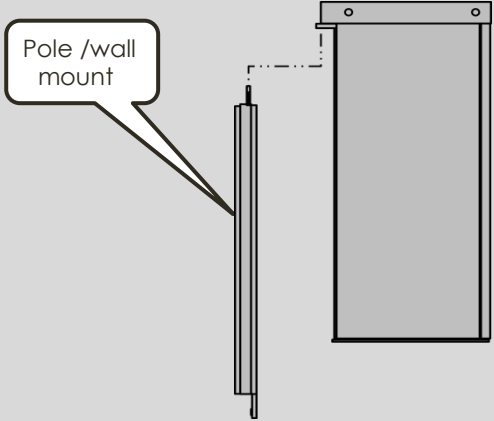
In addition, manually adjustable Max Power option (five steps) from 520 to 870VA offers an option for adjusting the maximum power manually as well as allows the operator to pay flat rate for the real energy consumed instead of paying for the Power Supply rated power.

Power Supplies are designed for a lifetime of operation while producing actual energy savings of between 5-15% compared to common Ferro P.S.



Main Input
102-132AC-US (50/60 HZ)
195-255AC-EU (50/60 HZ)

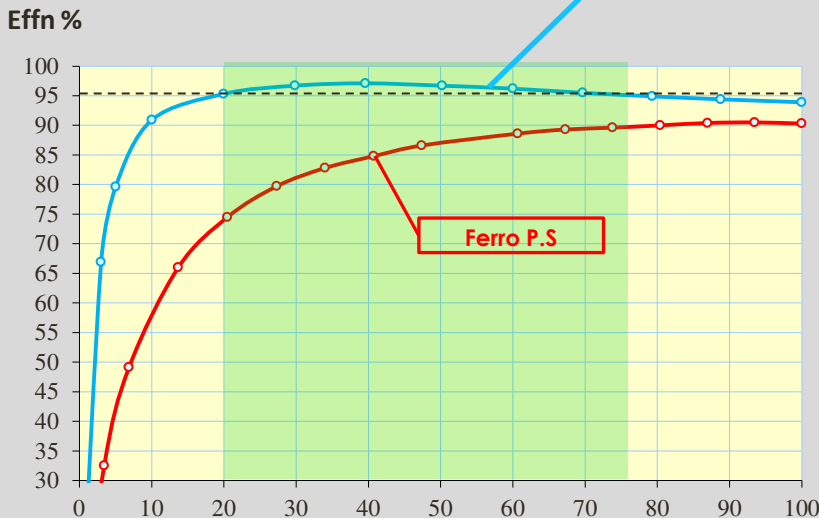
Output
63/87Vac
+/- 2%



The AC constant-voltage Mini CATV P.S helps Cable TV operators reduce network expenditure at capital as well as operational levels.



SAFECOM P.S – Achieving the Highest Energy Performance



- ✓ Lower Operating Cost
- ✓ No Noise, No Vibration
- ✓ Slow Start
- ✓ Electronic Overload Protection
- ✓ shelf- lain or wall mount
- ✓ No RF noise
- ✓ Surge immunity / ANSI/SCTE81 2012
- ✓ Surge immunity / EN1000-4-5
- ✓ Testing Point Vout
- ✓ Testing Point Iout
- ✓ Optional SPD 140KA
- ✓ 3 years extended warranty



Compact CATV Stabilized Power Supply Specification

Manually adjustable Max Power option (five steps) from 250 to 500VA

DIP Switch Position			Current Limit -87V
1	2	3	
OFF	OFF	OFF	6A
OFF	OFF	ON	7A
OFF	ON	OFF	8A
ON	OFF	OFF	9A
ON	ON	ON	10A

Adjusting the maximum power manually allows the operator to pay flat rate for the real energy consumed instead of paying for the Power Supply rated power.

Model	SC-MTFPS-520-870-90UO	SC-MTFPS-520-870-60EI
	Electrical	
Input Voltage range (Vac)	102Vac-132Vac	195-255Vac
Input Frequency (Hz)	50/60 Hz	
Input Current (A) Adjustable	4.5 A < I _{max} < 7.6A (@120V)	2.37A < I _{max} < 4A (@230Vac)
Input inrush current	<5In single pulse of 5ms	
Input Power Factor	>0.98 (range 10-100% load)	
Output Voltage Taps (Vac)	87Vac +/- 2%	63Vac +/- 2%
Output Current (A) Adjustable	6A < I _{max} < 10A	8A < I _{max} < 14A
Short circuit time response (ms)	<10	
Recovery time delay (sec)	>2	
Output Power (VA)	870	
Load Regulation (%)	<1%	
Electronic Output Protection		
Efficiency (%)	>93% (load 10-25%)	
	>96% (load 25-75%)	
	>95% (load 75-90%)	
	>93% (load 90-100%)	
	Mechanical	
Dimensions (L , W , H) inch /mm	12.9,7.8,5.7 inch/ 328,199,145 mm	
Weight (Kg/lbs)	12.9 kg /	
Housing Finish	Corrosion protected + Epoxy coating	
	Environment	
Operating Temperature	-20°C ÷ +60°C	
Storage Temperature	-20°C ÷ +70°C	
OUTDOOR - Humidity	0 ÷ 100% non condensing	
	Standard Features	
Power Mains Cable	√	
Mains Transients Protection	√	
Output Coax socket	√	
Power Indication Green /Red LED	√	

Surge immunity	
EN61000-4-5	2.0kV (1.2/50µs, 2Ω). L → N and L,N → PE √
ANSI\SCTE 81 2012	6KV 10/700µSec √