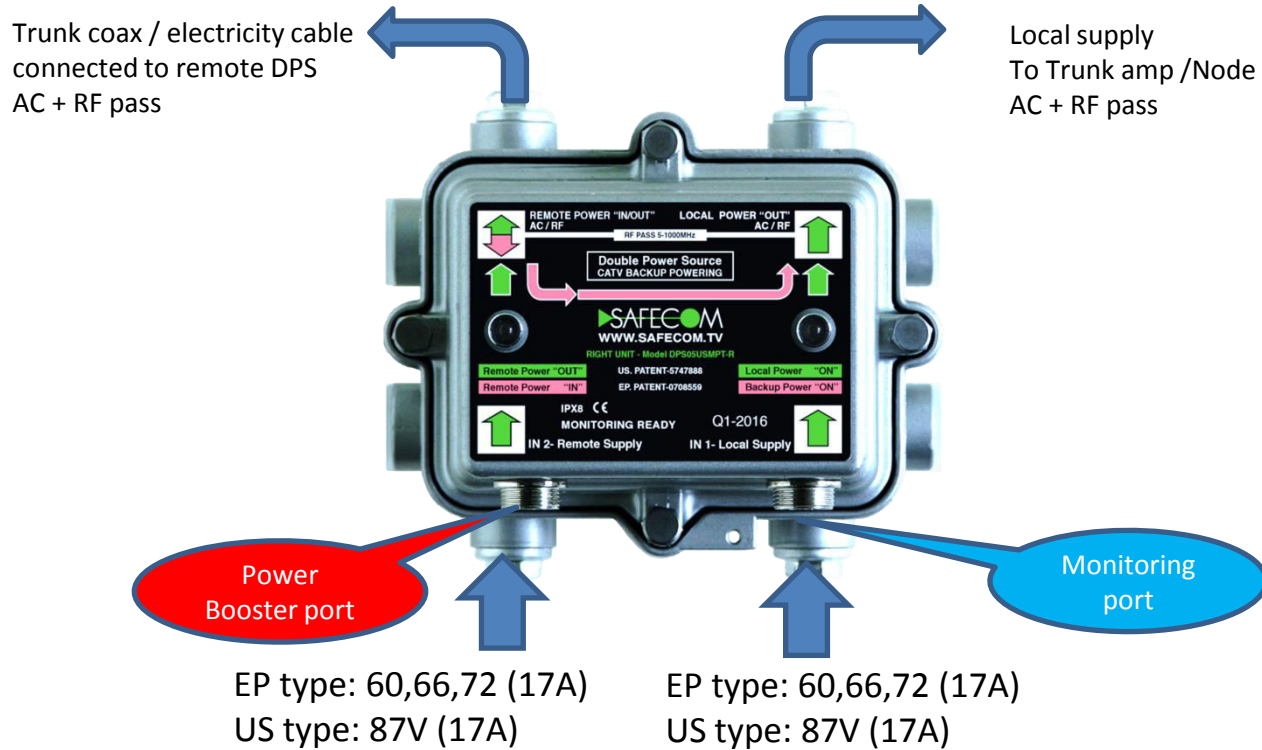


DPS ver 5 Installation guide

Typical configuration Optical node + Trunk amplifier

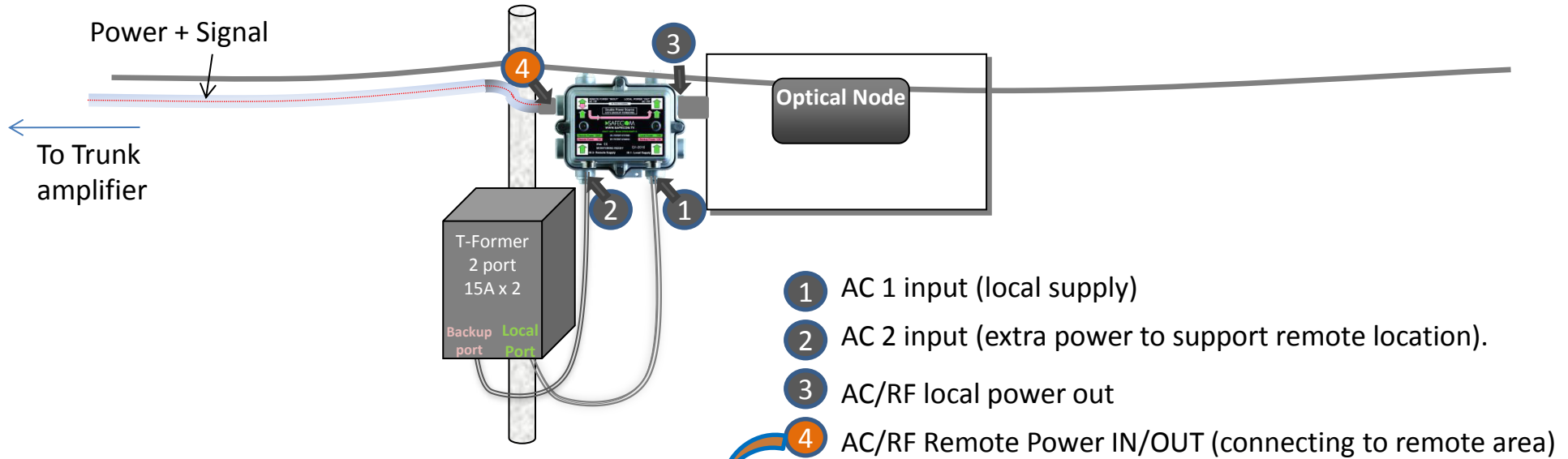
Introduction

Based on the strategic placing of intelligent power management devices throughout the network, in the event of a power outage the DPSv5 draws power from distance available source over existing coax or power cables. Safecom's proven smart grid technologies greatly improve network powering reliability while creating significant savings in both capital and operational expenses.



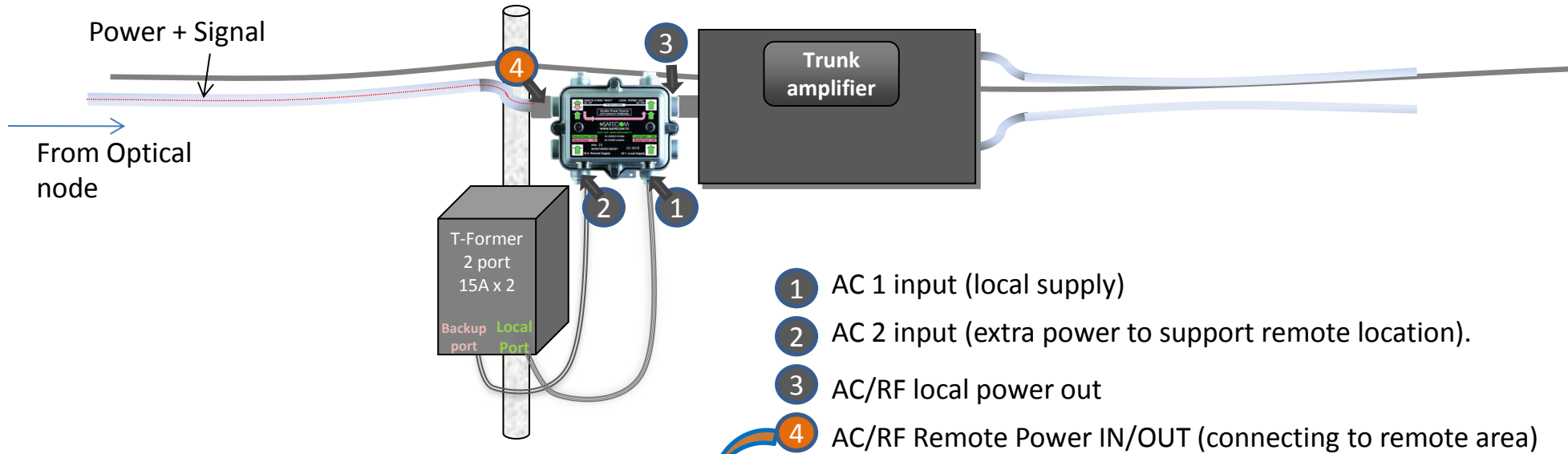
DPS ver 5 Installation guide

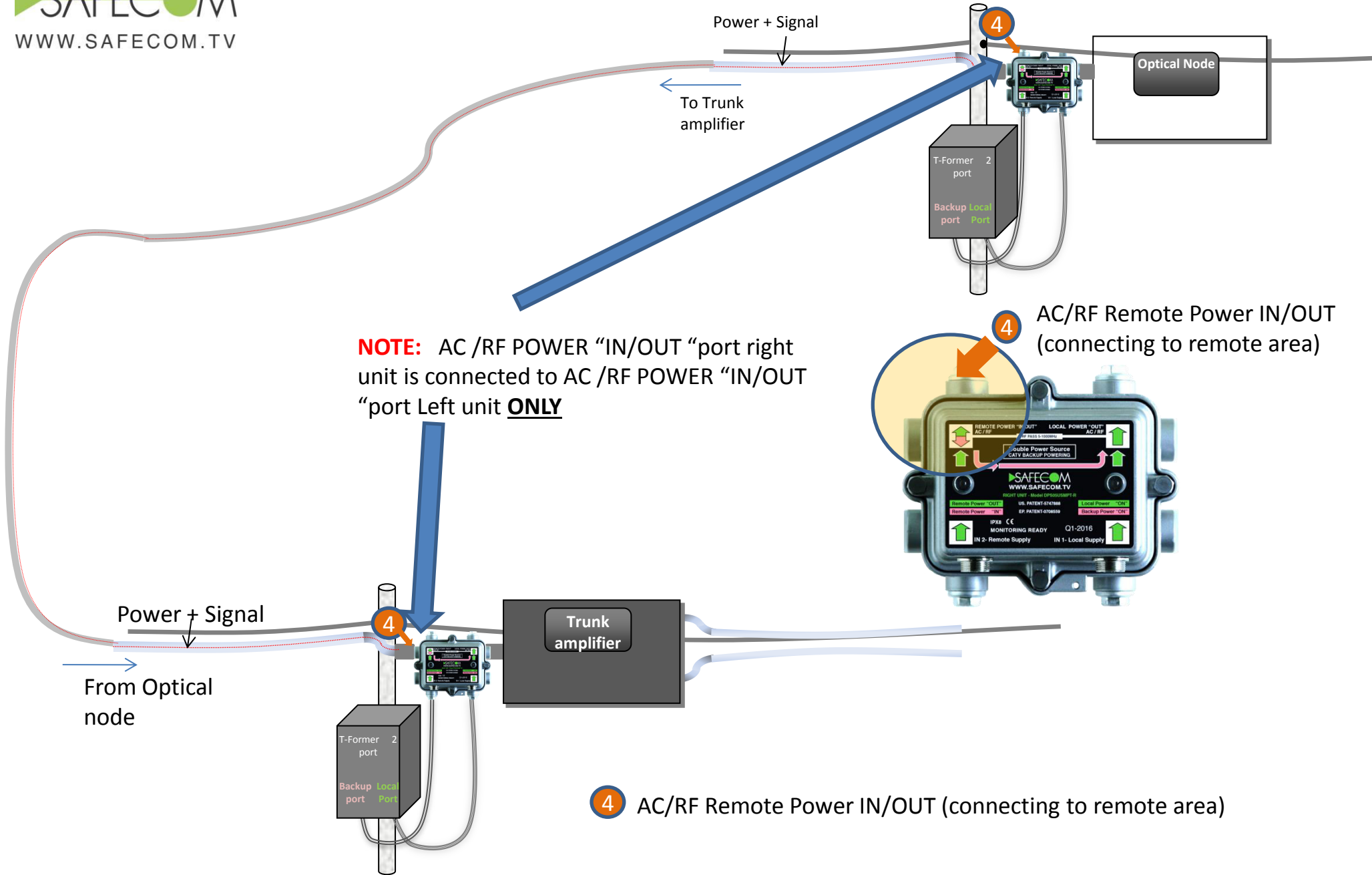
Typical connection to Optical node

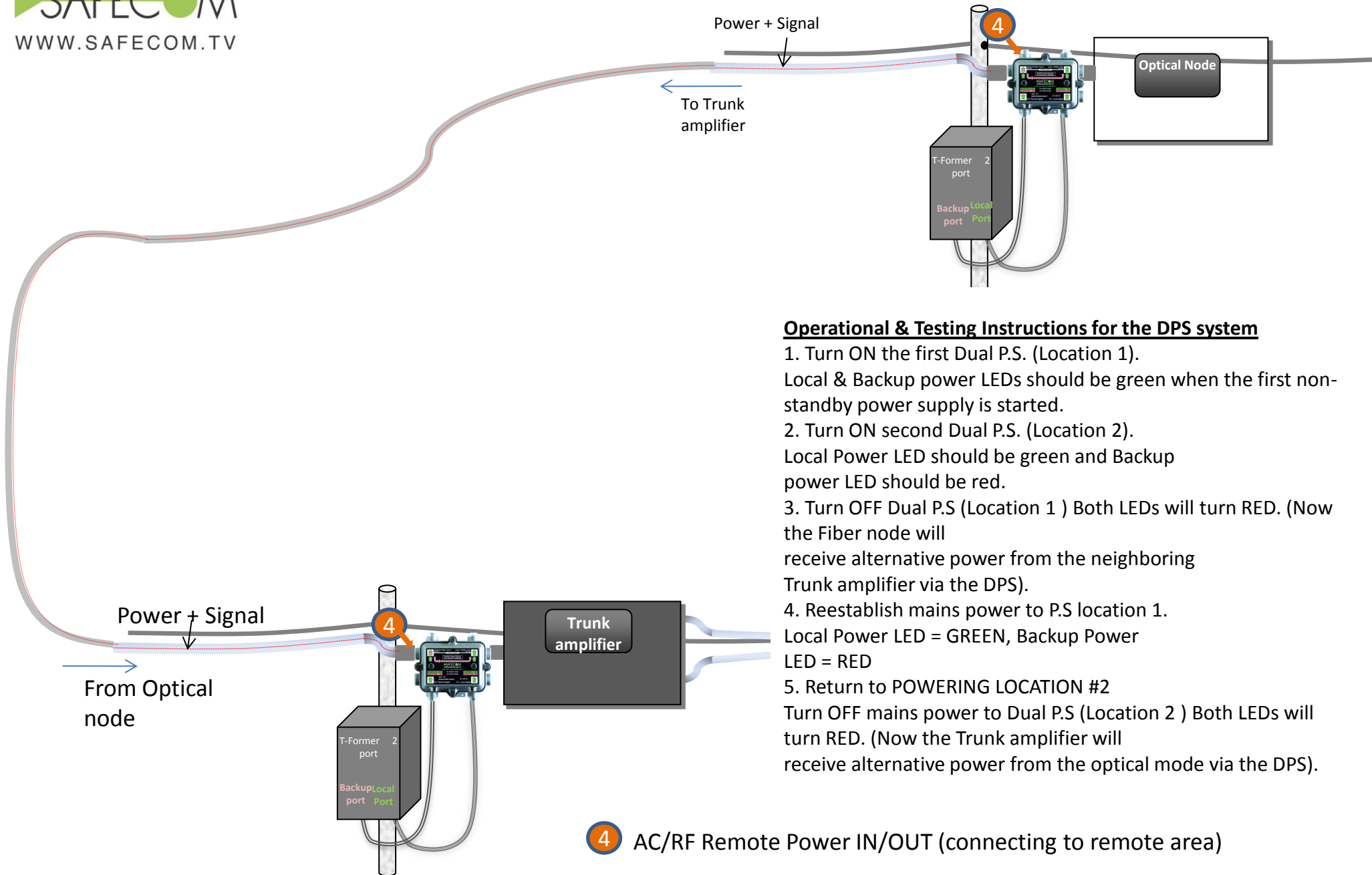


DPS ver 5 Installation guide

Typical connection to Trunk amplifier







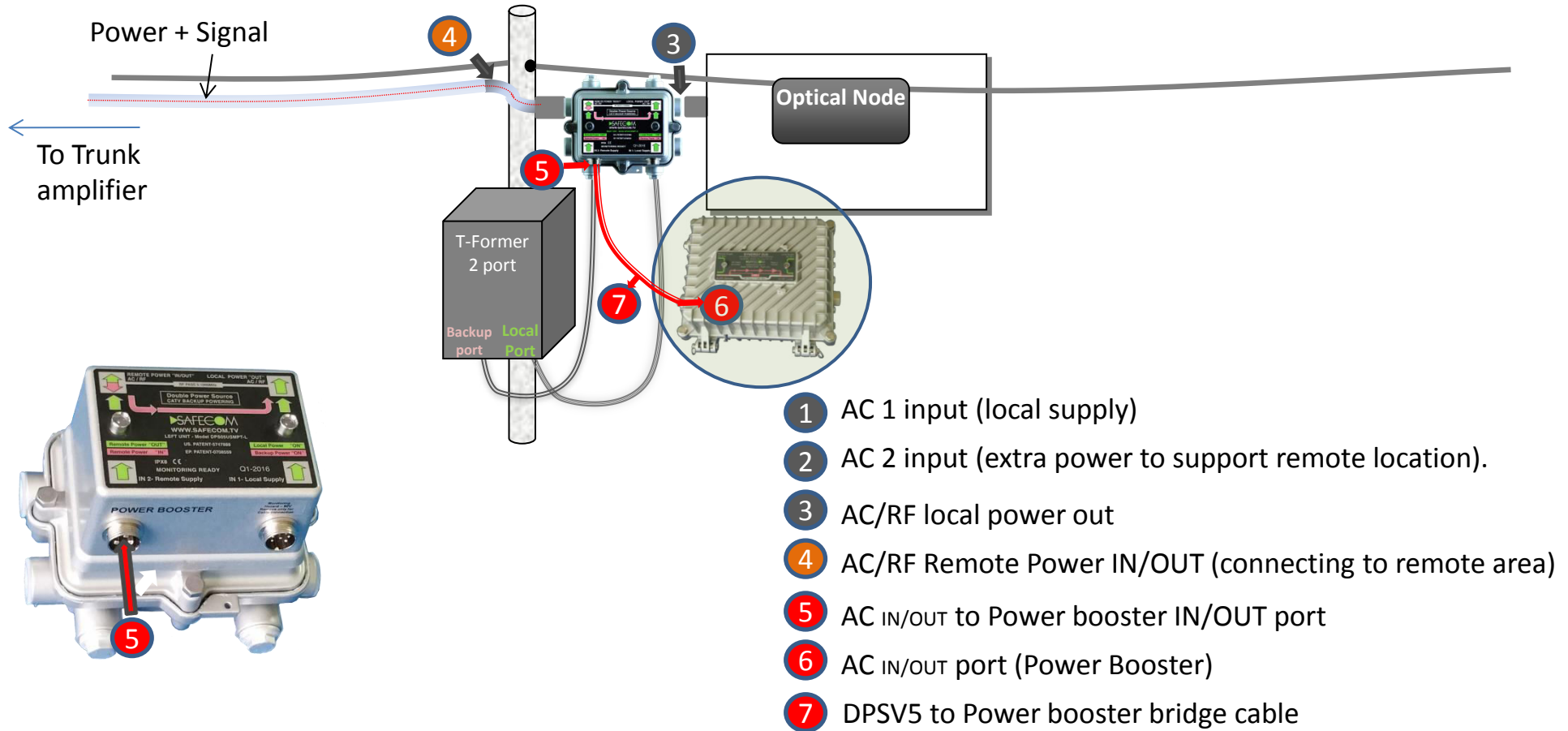
Operational & Testing Instructions for the DPS system

1. Turn ON the first Dual P.S. (Location 1).
Local & Backup power LEDs should be green when the first non-standby power supply is started.
2. Turn ON second Dual P.S. (Location 2).
Local Power LED should be green and Backup power LED should be red.
3. Turn OFF Dual P.S (Location 1) Both LEDs will turn RED. (Now the Fiber node will receive alternative power from the neighboring Trunk amplifier via the DPS).
4. Reestablish mains power to P.S location 1.
Local Power LED = GREEN, Backup Power LED = RED
5. Return to POWERING LOCATION #2
Turn OFF mains power to Dual P.S (Location 2) Both LEDs will turn RED. (Now the Trunk amplifier will receive alternative power from the optical mode via the DPS).

4 AC/RF Remote Power IN/OUT (connecting to remote area)

Connecting power booster to DPSV5

Power Booster can be seamlessly connected via cable to the DPSv5 by a bridge cable.

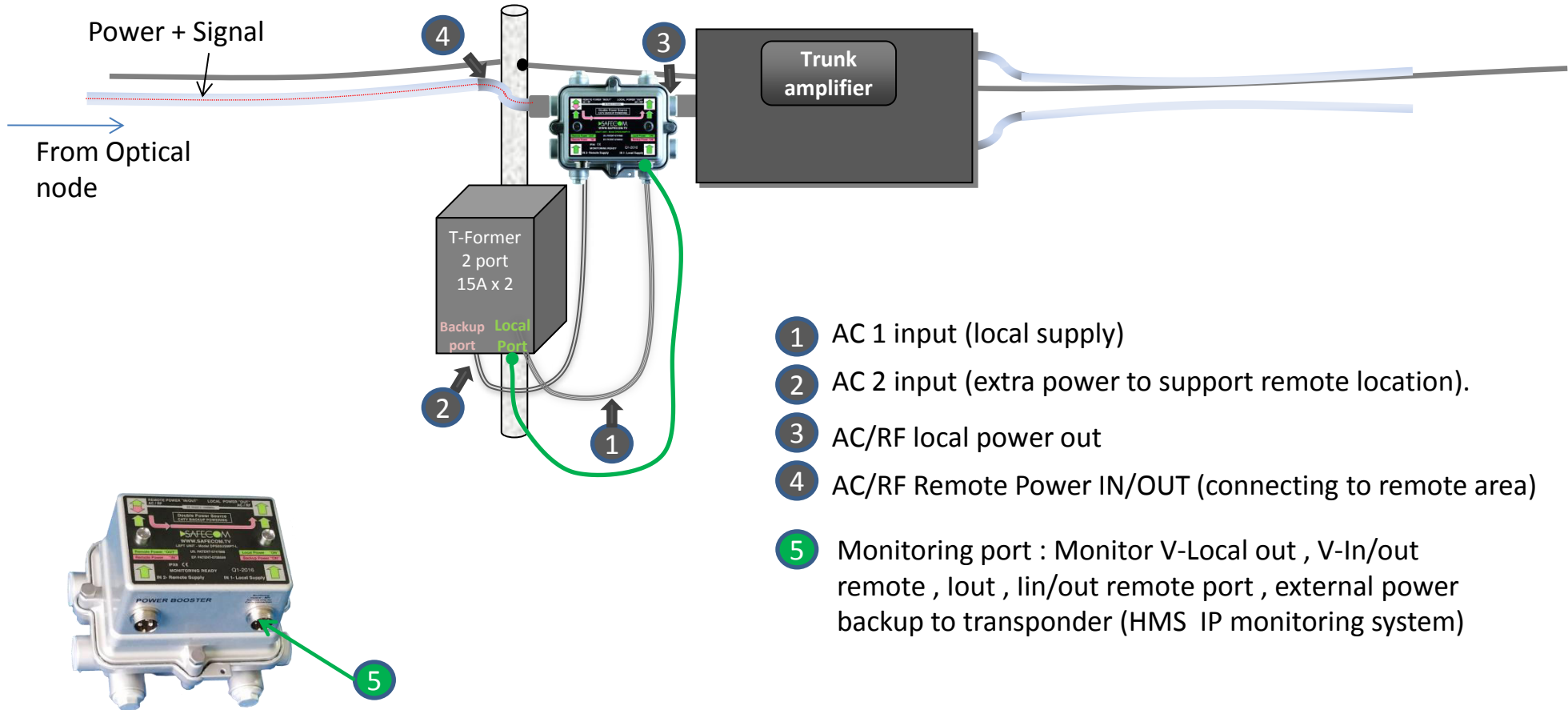


Safecom's patented add-on Power Booster enables to utilize the DPS remote backup technology for longer distance by compensate the voltage drop along the coax or electric cables.

The add-on Power Booster can be seamlessly connected via bridge cable to DSPv5

Monitoring DPSV5

DPSv5 monitoring can be seamlessly connected via single monitoring cable to SAFECOM'S P.S



Operational & Testing Instructions for the DPS system

1. Turn ON the first Dual P.S. (Location 1). Local & Backup power LEDs should be green when the first non-standby power supply is started.
2. Turn ON second Dual P.S. (Location 2). Local Power LED should be green and Backup power LED should be red.
3. Turn OFF Dual P.S (Location 1) Both LEDs will turn RED. Now the Fiber node will receive alternative power from the distant Trunk amplifier via the DPS.
4. Reestablish mains power to P.S location 1. Local Power LED = GREEN, Backup Power LED = RED
5. Return to POWERING LOCATION #2 Turn OFF mains power to Dual P.S (Location 2) Both LEDs will turn RED. (Now the Trunk amplifier will receive alternative power from the optical mode via the DPS).

Troubleshooting and repair:

The Power Booster is over current & short circuit protected.

If the Power Booster malfunctioning, the following tests should be done:

Disconnect the output coax and measure input & output voltage, if after 30 seconds the output voltage is not, the unit should be replaced.

If after the 30 seconds of start delay, the output voltage is as expected by specification, the network should be tested for short circuit or over-current.

Safety information:

Disconnect power from coaxial cable or electricity cable before installation.

Make sure DPS is well strength to holding cable at aerial installation or bracket at in close cabinet.

No need to open the front cover during installation, and there is no testing point or tuning inside the device.

Inspect the package if the unit was damaged, contact Safecom or the local distributor.

Return procedure

If the unit is not functioning, please contact your local distributor or directly to Safecom support through the web site at www.safecom.tv, support@safecom.tv .

The Safecom support team will review the information from the field, support the customer with any relevant info or technical instructions and approve RMA as needed.

